

All stainless steel pressure gauges with Bourdon tube

Nominal size ND 100 ,ND 160
Accuracy class 1.0

according to DIN EN 837-1

Features

Ideal for hard conditions
High reliability on a longterm basis
Stainless steel case and measuring system
Overrange protection 1,3 times max.
Protection IP 54 resp.IP 65 (filled)



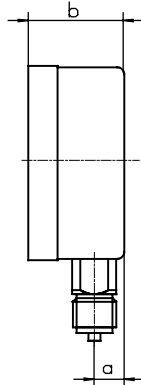
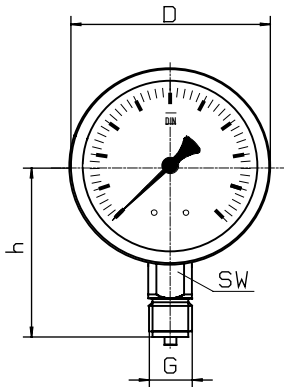
Applications

Chemical and petrochemical industry
Foodstoffs and beverages industry
Paper industry

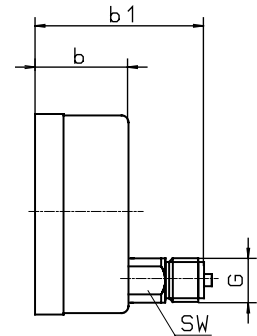
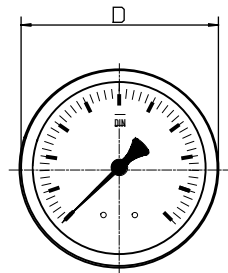
Models and ND	MR-30 100	MR-35 100	MR-30 160	MR-35 160
Connections	bottom	back,eccentric	bottom	back,eccentric
Ranges in bar	0...0,6, 1, 1,6, 2,5, 4, 6, 10, 16, 25, 40, 60, 100, 160, 250, 400, 600, 1.000, 1.600 -0,6 / 0, -1 / 0, -1 / +0,6, -1 / +1,5, -1 / +3, -1 / +5, -1 / +9, -1 / +15, -1 / +24			
Application	Constant load : up to full scale value , >1000 bar 3/4 Alternating load : up to 0,9 x full scale value , > 1000 bar 2/3 Overrange protection 1,3 times max. , > 1000 bar full scale value			
Case	CrNi steel , pressure relief opening (closed with rubber disk)			
Bezel	CrNi steel			
Window	Lamineted safety glass			
Dial	Aluminium , white ,scale and imprint black			
Pointer	Aluminium, black			
Movement	CrNi steel			
Measuring element	CrNi steel ,Bourdon tube <40 bar, helical tube > 60 bar,			
Connection	CrNi			
Connectionthread	G 1/2 B			
Protection	IP 54 to EN 60529 / IEC 529			
Temperature drift	Medium: -20°C bis 80°C, Ambient : -25°C bis 60°C			
Weight	0,6 kg		1,0 kg	

Dimensions

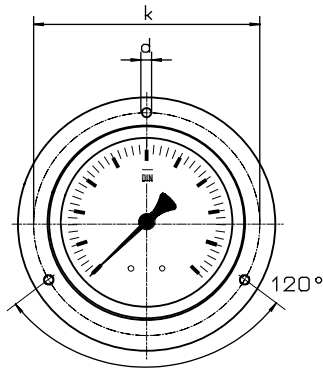
Connection bottom



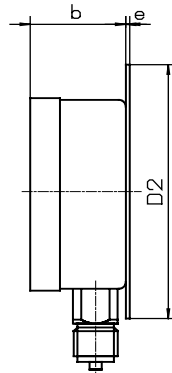
Connection back, eccentric



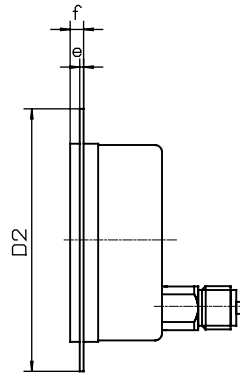
front flange



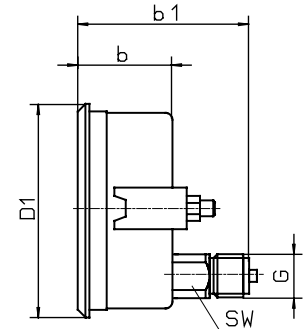
rear flange



front flange



with triangle bezel a. U-clamp



Dimensions in mm														
Model	NG	D	a	b	b1	h	D1	D2	e	f	k	d	sw	G
MR-30	100	101	15	49	-	86	107	132	2	6	116	5	22	G 1/2 B
MR-35	100	101	-	49	85	-	107	132	2	6	116	5	22	G 1/2 B
MR-30	160	160	15	51	-	118	-	196	3	8	178	5,6	22	G 1/2 B
MR-35	160	160	-	51	86	-	166	196	3	8	178	5,6	22	G 1/2 B

Modelspecification

